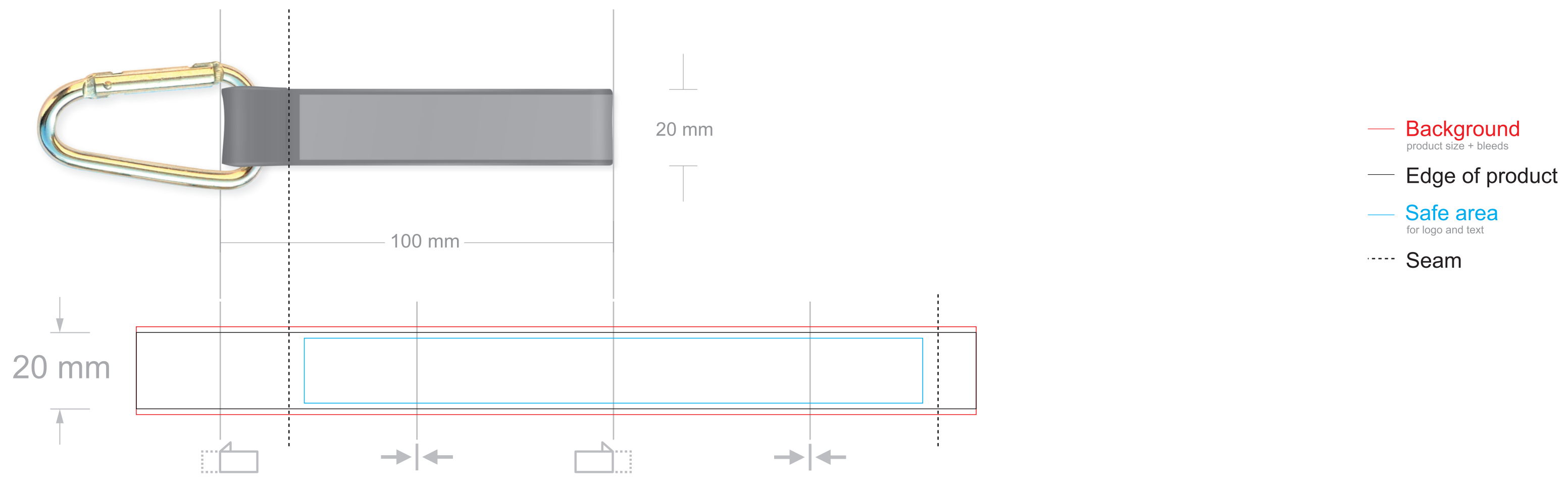


20 mm keychain single accessory



Choose the length of the finished keychain.

The form displays 14 options for the length of the finished keychain, ranging from 60 mm to 200 mm in 10 mm increments. Each option is represented by a horizontal bar with a red background and a blue safe area. The safe area is centered within the background. Above the 60 mm and 70 mm options, and below the 200 mm option, there are small icons of a keychain and arrows indicating the safe area boundaries. The 200 mm option is the longest and includes two additional keychain icons and arrows at the ends of the safe area.

60 mm

70 mm

80 mm

90 mm

100 mm

110 mm

120 mm

130 mm

140 mm

150 mm

160 mm

170 mm

180 mm

190 mm

200 mm